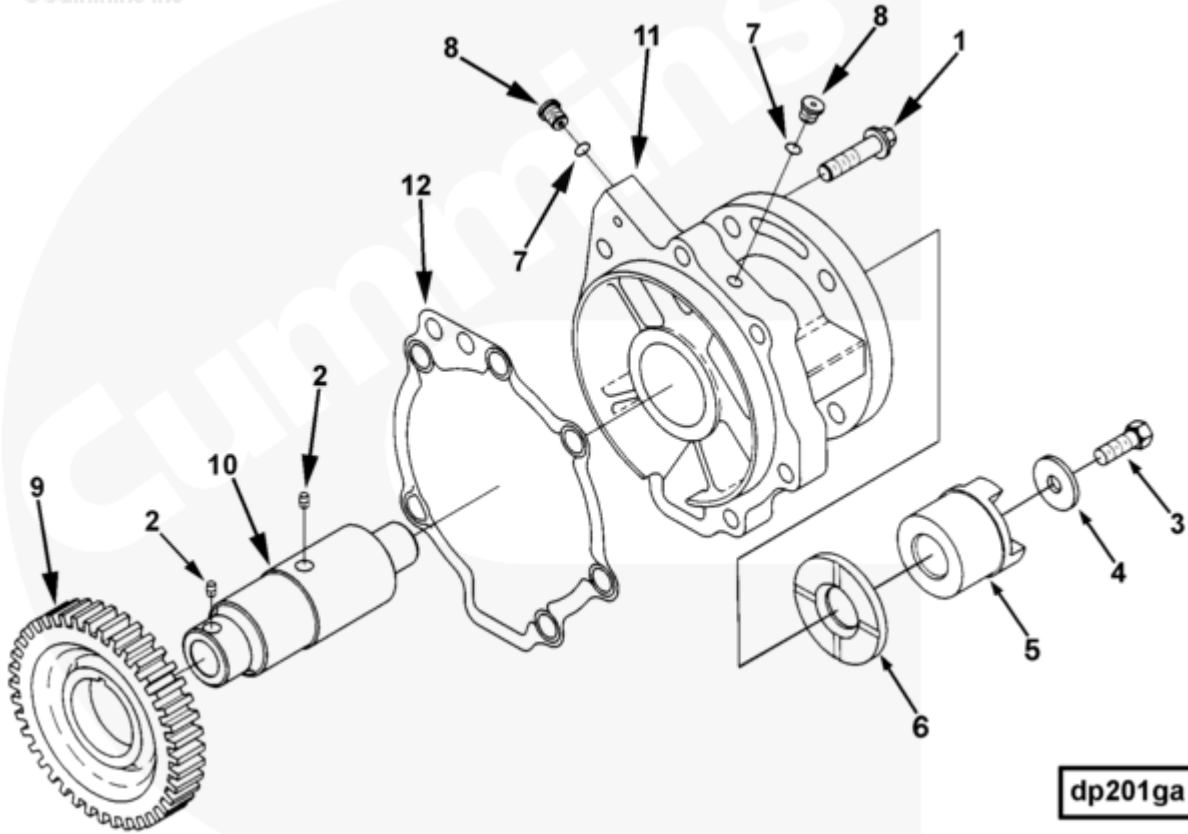




Parts Catalog - Option Detail

Electronic Parts Catalog - Option Detail				
Option	Group	Graphic	Film Card	Date
DP2701-05	09.01	dp201ga	II	15-JAN-04
Engines	ISM CM570, ISM CM570/870, ISM CM875, ISM CM876, ISM CM876 E, ISM11 CM876 M103, ISM11 CM876 SN, M11 CELECT, M11 CELECT PLUS, M11 MECHANICAL, QSM11 CM570, QSM11 CM876			

©Cummins Inc



[SMALL](#) | [MEDIUM](#) | [LARGE](#)

Cart	Ref No	Part Number	Part Description	Required	Remarks
View My Cart					
		DP2701-05	Fuel Pump Drive		MR - DRIVE, FUEL PUMP...(More)
					Engine Family: M11
					Drive Provision: Less Air
					Compressor
<input type="checkbox"/>	1	3883123	Hexagon Flange Head Cap Screw	6	M10 x 1.50 x 40

<input type="checkbox"/>		3896047	Gear Accessory Drive Shaft	1	Recon equivalent 3896047 RX
<input type="checkbox"/>	2	S 3193	Groove Pin	1	
<input type="checkbox"/>	3	129510	Hexagon Head Cap Screw	1	3/8 - 16 X 1 Inch.
<input type="checkbox"/>	4	170664	Plain Washer	1	3/8 Inch.
<input type="checkbox"/>	5	3000175	Jaw Coupling Hub	1	
<input type="checkbox"/>	6	3028309	Thrust Bearing	1	
<input type="checkbox"/>		4903443	Threaded Plug	2	3/8 inch
<input type="checkbox"/>	7	3034412	O-Ring Seal	1	
	8	4903442	Threaded Plug	1	
<input type="checkbox"/>		3041048	Gear And Shaft	1	
<input type="checkbox"/>	2	S 3193	Groove Pin	1	
<input type="checkbox"/>	9	3041042	Accessory Drive Gear	1	
<input type="checkbox"/>	10	3041043	Accessory Drive Shaft	1	
<input type="checkbox"/>	11	3896048	Accessory Drive Support	1	
<input type="checkbox"/>	12	3899746	Accessory Drive Support Gasket	1	